

Technical data sheet



Product features

Pizza oven 2 chambers

Model	SAP Code	00006149
--------------	-----------------	----------



- Pizza capacity [cm]: 12x 33 cm
- Stoneplates: Lower
- Stone plates thickness [mm]: 14
- Material: Stainless steel
- Control type: Mechanical
- Type of handle: Short, plastic
- Steam protection: Yes
- Independent heating zones: Separate control for each chamber
- Chimney for moisture extraction: Yes
- Adjustable chimney: Yes
- Interior lighting: Yes

SAP Code	00006149	Minimum device temperature [°C]	50
Net Width [mm]	983	Maximum device temperature [°C]	450
Net Depth [mm]	1255	Width of internal part [mm]	700
Net Height [mm]	763	Depth of internal part [mm]	1050
Net Weight [kg]	178.00	Height of internal part [mm]	150
Power electric [kW]	14.400	Pizza capacity [cm]	12x 33 cm
Loading	400 V / 3N - 50 Hz		

Technical data sheet



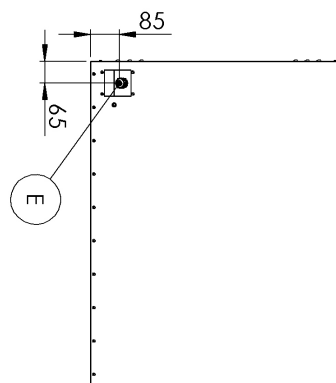
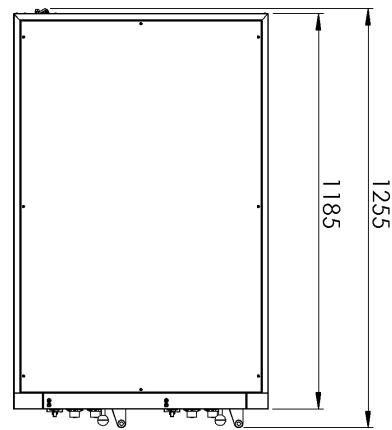
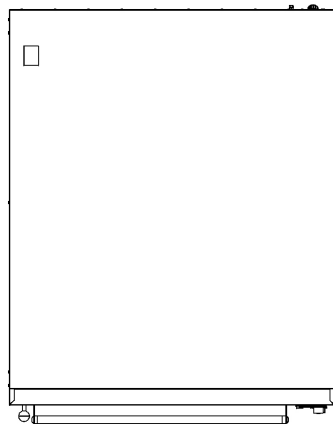
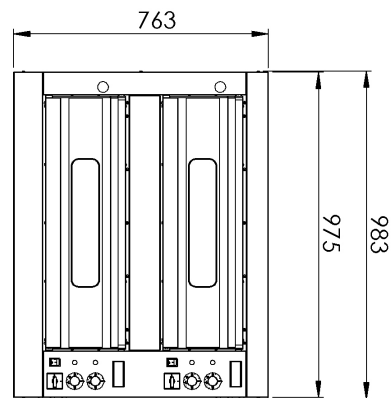
Technical drawing

Pizza oven 2 chambers

Model

SAP Code

00006149



Pizza oven 2 chambers

Model

SAP Code

00006149

1

Manual controls - Set values using rotary knobs

clear and simple user-friendly temperature settings

- quick and easy for the user to operate, no training required for operation long service life

2

Chamber heating in the temperature range of 50 to 450°C

the temperature range enables the preparation of various types of dough and meat; can also be used for baking

- we have a crispy pizza in a short time - I can make a pizza according to the dough, the customer does not wait long and the operator serves multiple customers - multiple turns in one oven

3

Fireclay plate 14mm placed below with heaters under the plate

proper accumulation and uniformity of heat distribution

- no scorching and the pizza is evenly cooked and does not burn, no temperature fluctuation, no need for the cook to check and adjust the baking, lower demands on the knowledge and skills of the pizza maker

4

Glass set in the door

checking the product during heat treatment without having to open the door

- I don't lose temperature when baking by unnecessarily opening the door without glass, saving energy

5

2x thermostat, separate control of upper and lower heaters

more precise regulation of heat in the chamber, according to the type of dough or food

- better final quality of the product; no burning, variability - suitable for different treatments, better comfort for the experienced cook, suitable for professionals

6

Analog thermometer measuring the temperature in the chamber

certainty of the set temperature, I will check whether it is set correctly and that the device works correctly for me

- I am aware of and can react to deviations from the required temperatures

Technical data sheet



Technical parameters

Pizza oven 2 chambers

Model

SAP Code

00006149

1. SAP Code:

00006149

2. Net Width [mm]:

983

3. Net Depth [mm]:

1255

4. Net Height [mm]:

763

5. Net Weight [kg]:

178.00

6. Gross Width [mm]:

1290

7. Gross depth [mm]:

1020

8. Gross Height [mm]:

810

9. Gross Weight [kg]:

180.00

10. Material:

Stainless steel

11. Device type:

Electric unit

12. Power electric [kW]:

14.400

13. Loading:

400 V / 3N - 50 Hz

14. Control type:

Mechanical

15. Width of internal part [mm]:

700

16. Depth of internal part [mm]:

1050

17. Height of internal part [mm]:

150

18. Minimum device temperature [°C]:

50

19. Maximum device temperature [°C]:

450

20. Pizza capacity [cm]:

12x 33 cm

21. Thermometer:

Analog

22. Indicators:

operation

23. Number of internal parts:

12

24. On/Off button:

Yes

25. Type of handle:

Short, plastic

26. Steam protection:

Yes

27. Protection of controls:

IPX4

28. Stoneplates:

Lower

Technical data sheet



Technical parameters

Pizza oven 2 chambers

Model

SAP Code

00006149

29. Stone plates thickness [mm]:

14

33. Number of cavities:

2

30. Independent heating zones:

Separate control for each chamber

34. Chimney for moisture extraction:

Yes

31. Interior lighting:

Yes

35. Adjustable chimney:

Yes

32. Safety element:

safety thermostat

36. Cross-section of conductors CU [mm²]:

4

- Výkon (kW): 30-37 (230 V); 53-64 (400 V)